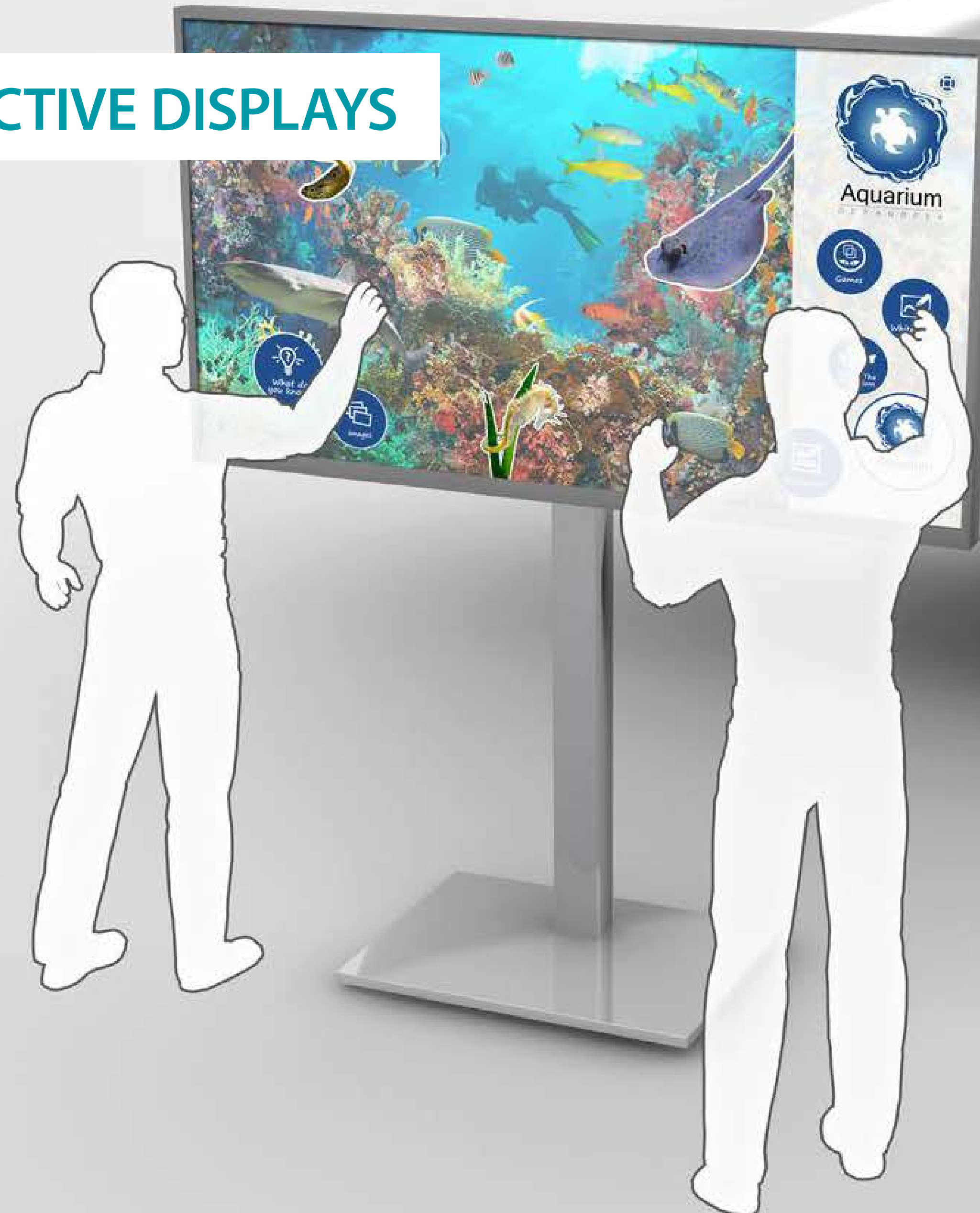


# TOUCHSCREENS

## LARGE-FORMAT INTERACTIVE DISPLAYS



- MULTITOUCH TECHNOLOGY**
- MULTIUSER**
- OBJECT RECOGNITION**
- APP STORE**
- OPERATING HOURS**

Any duplication, publication or any other transfer of this document and the information contained therein to third parties is not permitted.

Illustrations and contents are subject to alterations and errors.

The [General Terms and Conditions \(GTC\)](#) and [AppStore GTC](#) of [eyefactive GmbH](#) apply.



### HIGH-RESOLUTION SCREENS

HD / UHD for crystal-clear visualization.



### MULTITOUCH INTERACTION

10+ touch points for true multitouch interaction.



### INNOVATIVE OBJECT RECOGNITION

Connect the physical with the digital world.



### CUSTOMIZABLE APPS

Available via eyefactive's touchscreen app platform.



# MULTITOUCH SCREENS: OVERVIEW

## PCAP

Model	MARS / YFT (by eyefactive)	XSP	XMT	XII
Technology	PCAP	PCAP	PCAP	PCAP
Category	Premium	Premium	Budget	Budget
Sizes (inches)	43 / 55 / 65	70	43 / 49 / 55 / 65	32 / 43 / 49 / 55 / 65
Resolution	UHD	UHD	UHD	HD / UHD
Brightness	1.000 cd/m <sup>2</sup>	300 cd/m <sup>2</sup>	360 - 450 cd/m <sup>2</sup>	380 - 420 cd/m <sup>2</sup>
Touch Points	40	30	40	12 - 15
Face Up (Table)	✓	✓	✓	✓
Object Recognition	✓	✓	-	-

## IR

Model	XES	XII
Technology	Slim-IR	IR
Category	Premium	Budget
Sizes (inches)	43 / 55 / 75 / 86 / 98	65 / 75 / 86 / 98
Resolution	UHD	UHD
Brightness	475 cd/m <sup>2</sup>	350 - 400 cd/m <sup>2</sup>
Touch Points	12 - 32	20
Face Up (Table)	✓	✓ / -
Object Recognition	✓	-

# PCAP MULTITOUCH SCREENS **NEW**

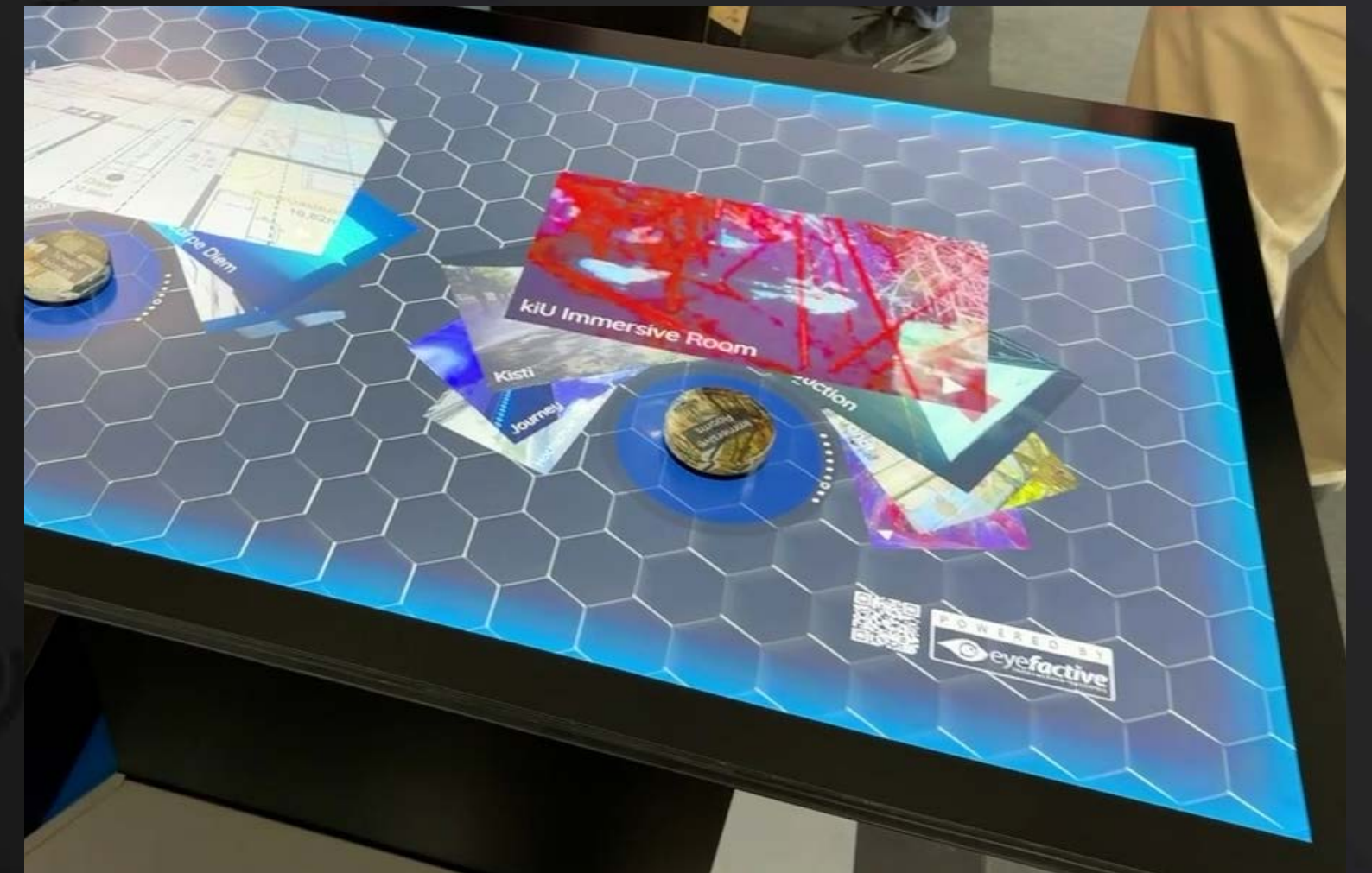
Model MARS (YFT)



MARS 43"  
PCAP, Optical Bonding, 1.000 cd/m<sup>2</sup>, Object Recognition

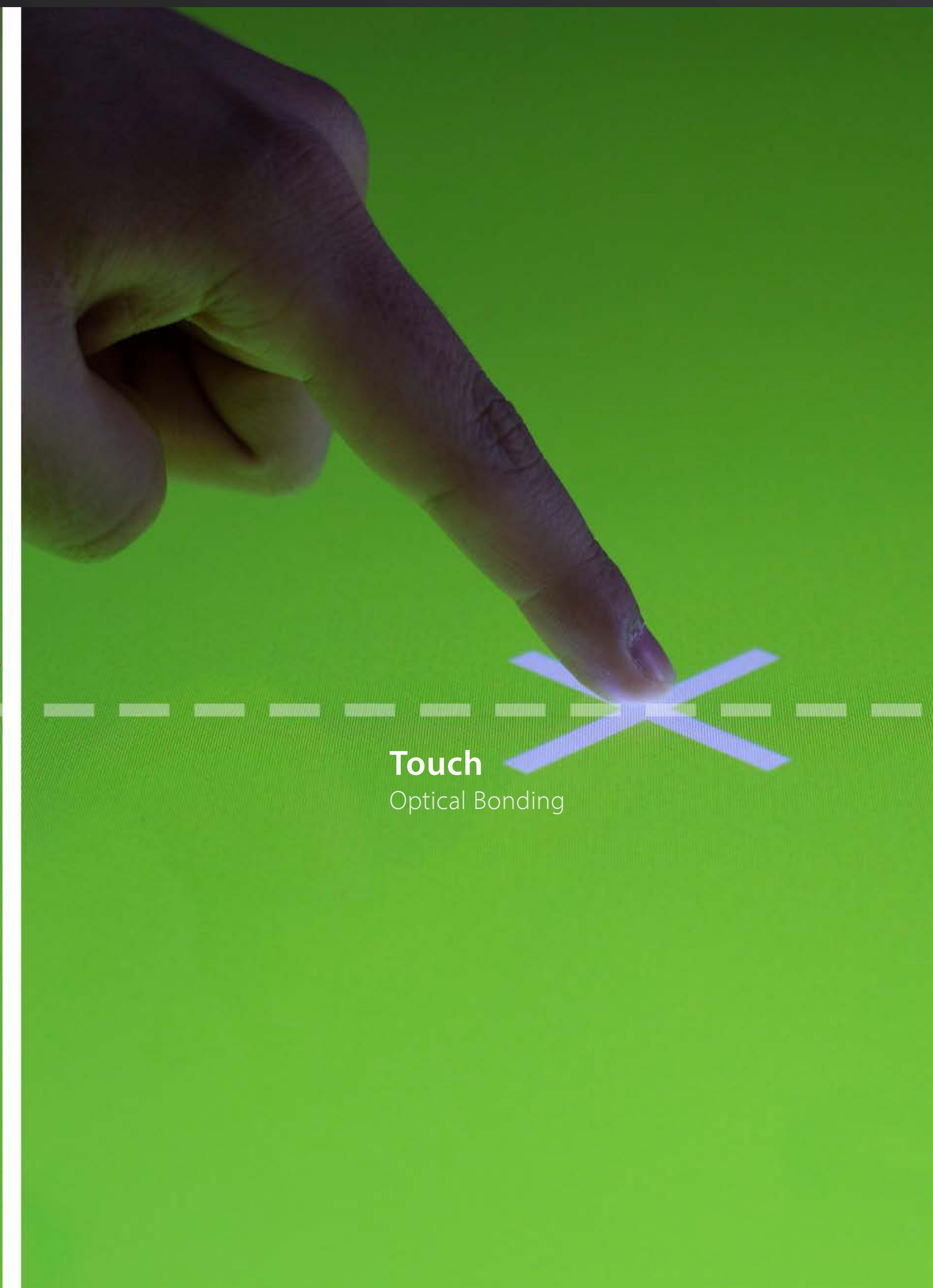
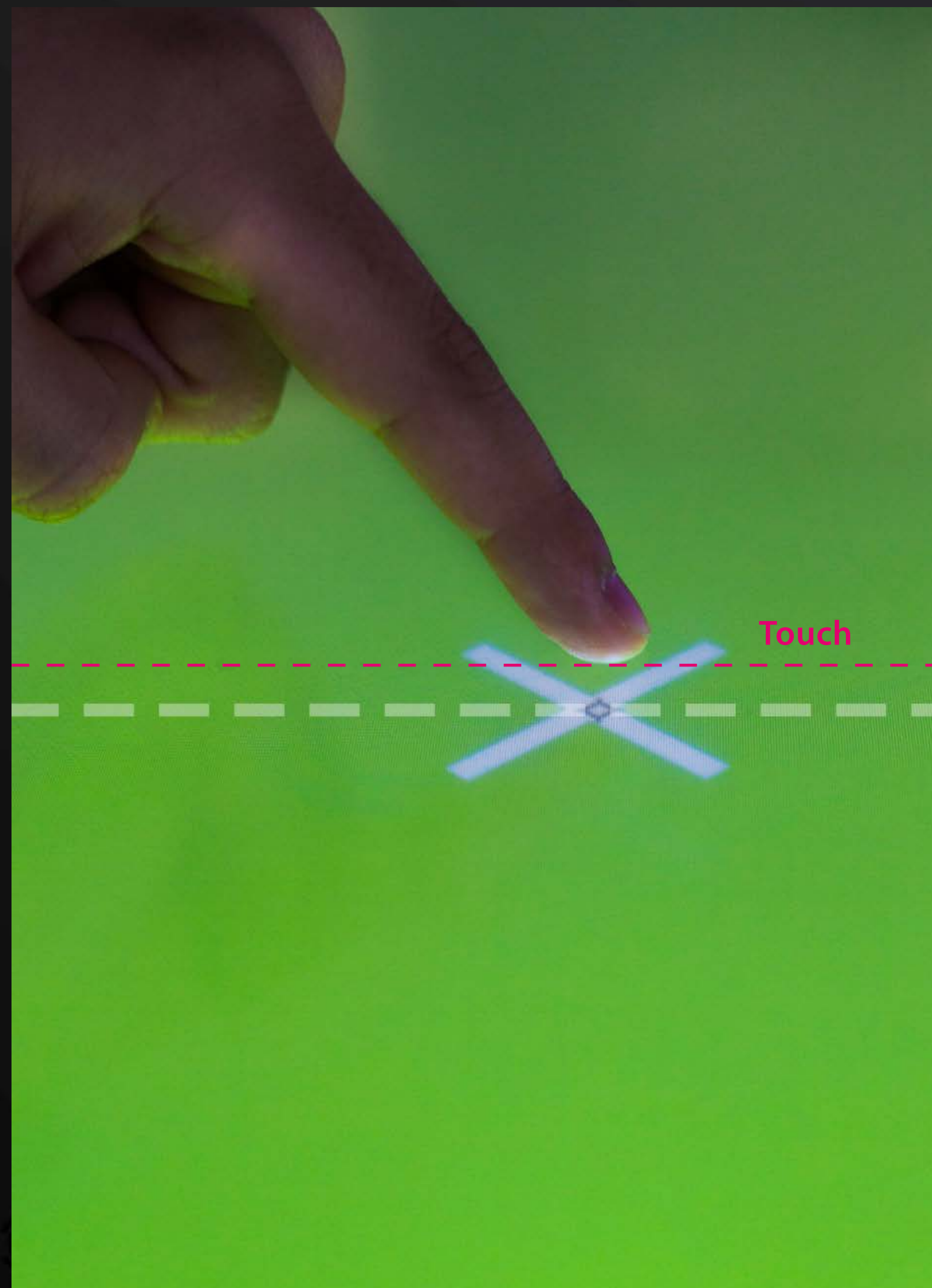
# Model MARS

Premium PCAP Touch Technology



# Model MARS

Optical Bonding



# Model MARS

Ultra-High Brightness



**450 cd/m<sup>3</sup>**  
Standard Brightness



**1.000 cd/m<sup>3</sup>**  
Ultra-High Brightness



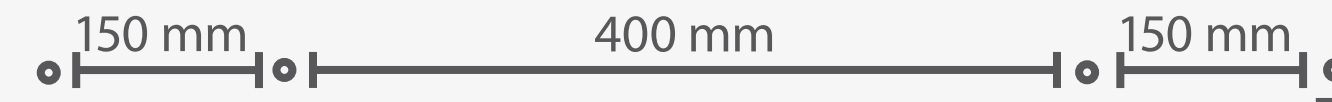
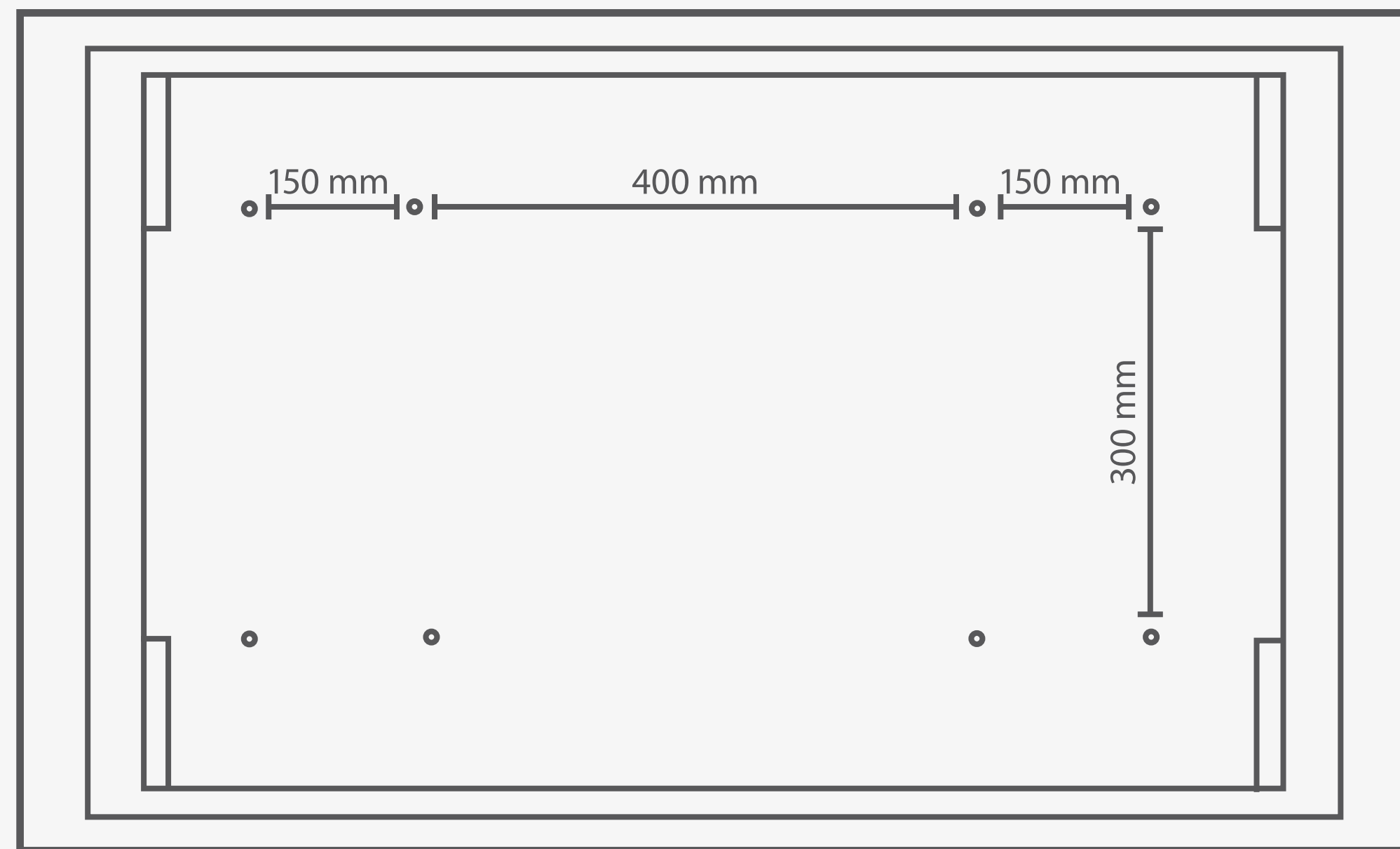
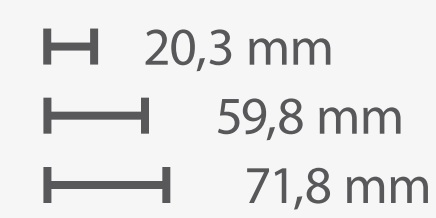
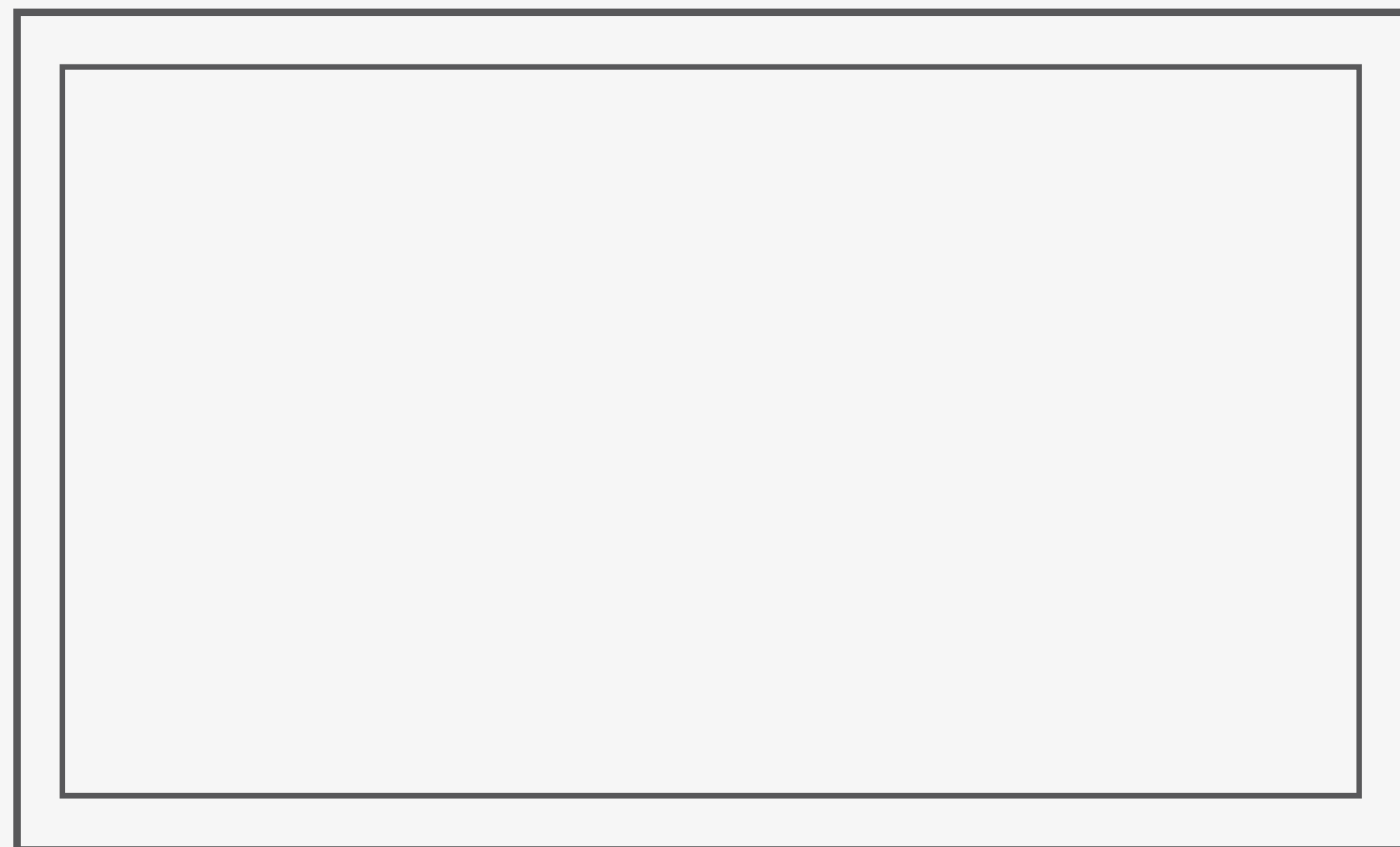
# PCAP MULTITOUCH SCREENS

## Model MARS (YFT)

	Model	43" UHD	55" UHD	65" UHD	
Display	Technology	PCAP	PCAP	PCAP	
	Resolution	UHD (3840 × 2160 px)	UHD (3840 × 2160 px)	UHD (3840 × 2160 px)	
	Type	LCD	LCD	LCD	
	Format	16:9	16:9	16:9	
	Brightness	1.000 cd/m <sup>2</sup>	1.000 cd/m <sup>2</sup>	1.000 cd/m <sup>2</sup>	
	Runtime	24/7	24/7	24/7	
	Dimensions	1021 x 608 x 60 mm	1.295 x 780 x 62 mm	1.514 x 930 x 63 mm	
	Weight	28 kg	45 kg	56 kg	
	Sensor	Touch points	40	40	40
		Technology	PCAP	PCAP	PCAP
Object recognition		✓	✓	✓	
Other	Face Up (Table)	✓	✓	✓	
	Audio	2 x 5 W	2 x 5 W	2 x 5 W	
	Power	100-240 VAC, 50/60Hz, 4.0A	100-240 VAC, 50/60Hz, 4.0A	100-240 VAC, 50/60Hz, 4.0A	
	Consumption	TBA	TBA	TBA	
	VESA	600 x 400	600 x 400	600 x 400	

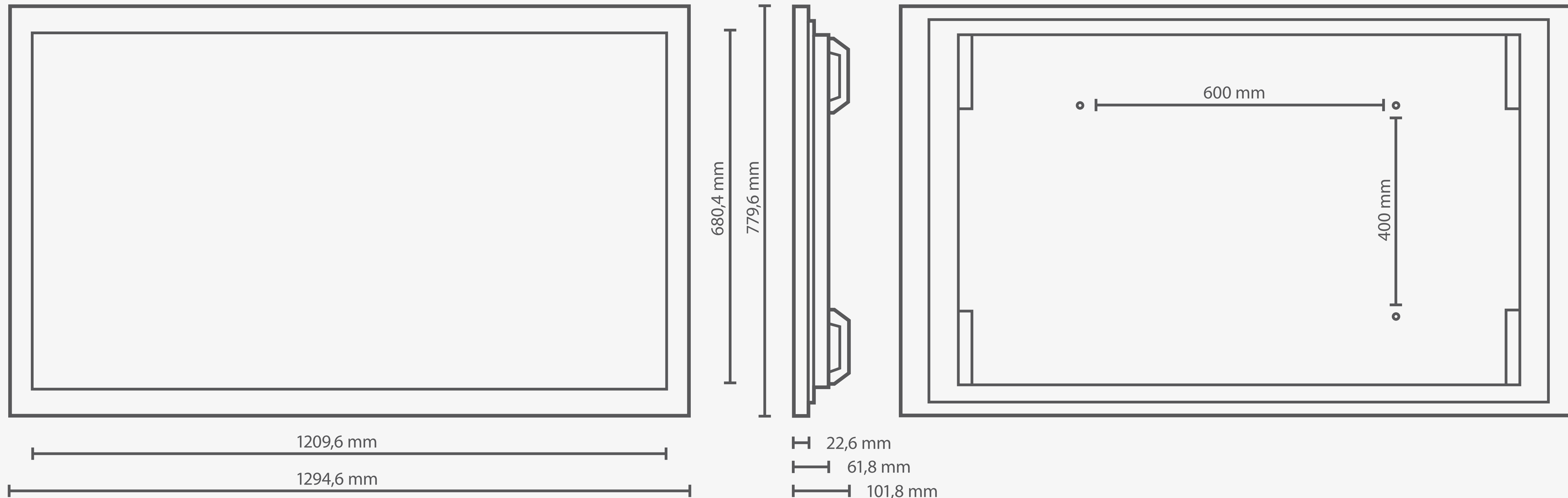
# PCAP MULTITOUCH SCREENS

Model MARS 43" (YFT)



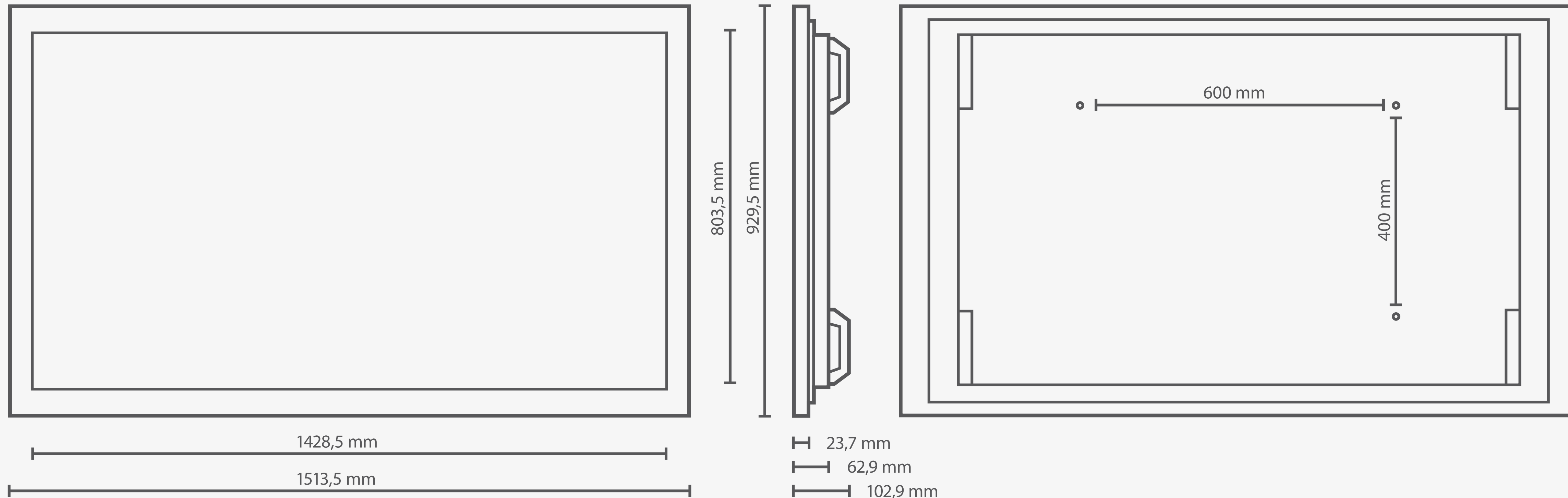
# PCAP MULTITOUCH SCREENS

Model MARS 55" (YFT)



# PCAP MULTITOUCH SCREENS

Model MARS 65" (YFT)



# PCAP MULTITOUCH SCREENS

Model XSP



XSP 70"

# PCAP MULTITOUCH SCREENS

## Model XSP

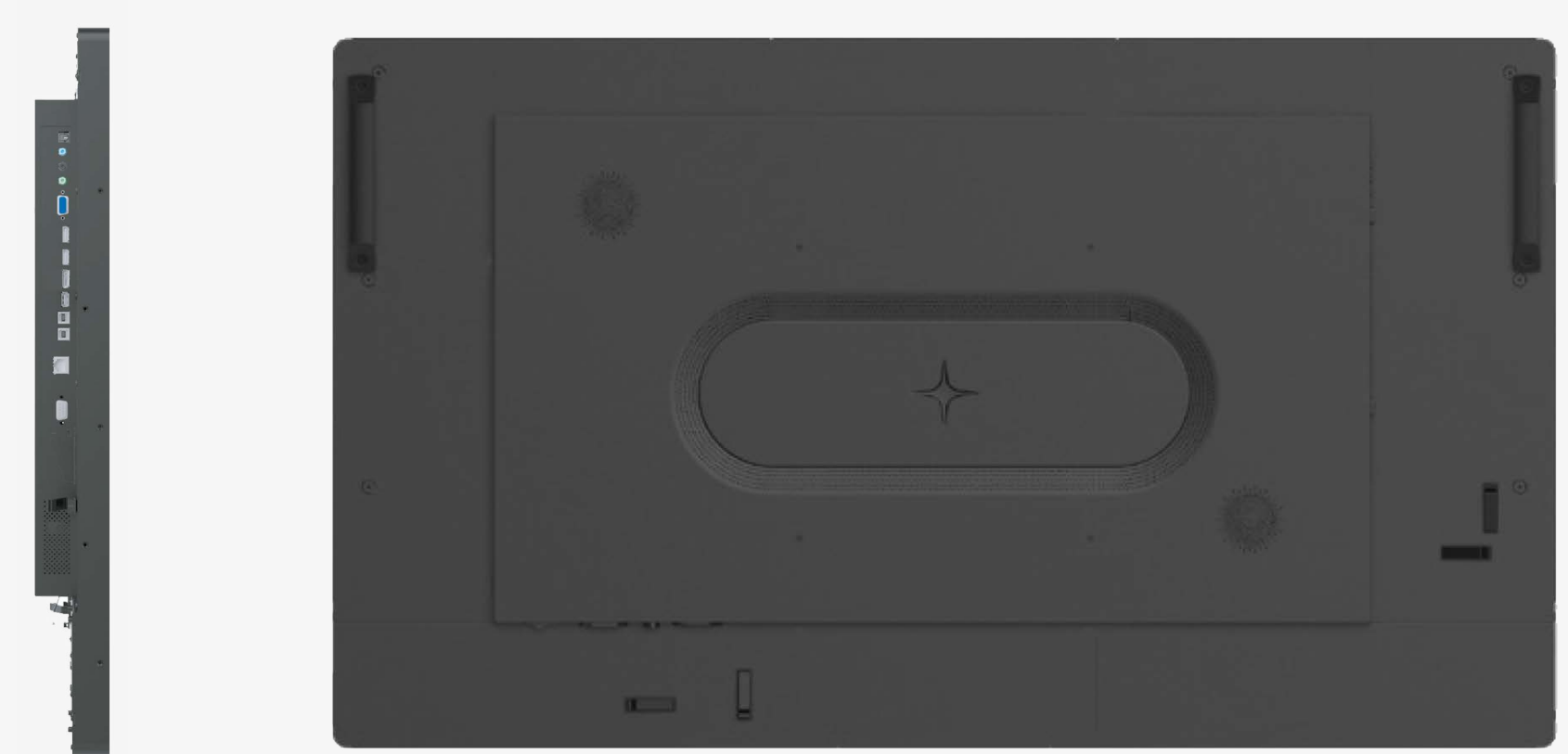


### Display

<b>Model</b>	<b>XSP 70" UHD</b>	
<b>Technology</b>	<b>PCAP</b>	
Resolution	UHD (3840 × 2160 px)	
Type	LCD	
Format	16:9	
Brightness	300 cd/m <sup>2</sup>	
Runtime	24/7	
Dimensions	1613 x 942 x 93 mm	
Weight	57 kg	
<b>Sensor</b>	Touch points	30
	Technology	PCAP
	Object Recognition	✓
<b>Other</b>	Face Up (Table)	✓
	Audio	2 × 10 W
	Power	AC 100 – 240 V
	Consumption	215 W
	VESA	400 × 400

# PCAP MULTITOUCH SCREENS

Model XMT



XMT 65"

# PCAP MULTITOUCH SCREENS

## Model XMT



	Model	XMT 43" UHD	XMT 49" UHD	XMT 55" UHD	XMT 65" UHD
Display	Technology	PCAP	PCAP	PCAP	PCAP
	Resolution	UHD (3840 × 2160 px)	UHD (3840 × 2160 px)	UHD (3840 × 2160 px)	UHD (3840 × 2160 px)
	Type	LCD	LCD	LCD	LCD
	Format	16:9	16:9	16:9	16:9
	Brightness	360 cd/m <sup>2</sup>	450 cd/m <sup>2</sup>	425 cd/m <sup>2</sup>	450 cd/m <sup>2</sup>
	Runtime	24/7	24/7	24/7	24/7
	Dimensions	984 x 572 x 83 mm	1128 x 658 x 79 mm	1248 x 733 x 81 mm	1484 x 858 x 79 mm
	Weight (net)	19,5 kg	33,7 kg	30,75 kg	50 kg
	Sensor	Touch points	40	40	40
Technology		PCAP	PCAP	PCAP	PCAP
Object Recognition		-	-	-	-
Other	Face Up (Table)	✓	✓	✓	✓
	Audio	2 × 8 W	2 × 10 W	2 × 12 W	2 × 10 W
	Power	AC 100 – 240 V	AC 100 – 240 V	AC 100 – 240 V	AC 100 – 240 V
	Consumption	TBD	150 W	TBD	185 W
	VESA	400 × 400	300 × 300	400 × 400	400 × 400

# PCAP MULTITOUCH SCREENS

Model XII



XII 65"

# PCAP MULTITOUCH SCREENS

## Model XII



Display	Model	XII 32" HD Open Frame	XII 43" HD Open Frame	XII 49" UHD	XII 55" UHD	XII 65" UHD
	Technology	PCAP	PCAP	PCAP	PCAP	PCAP
	Resolution	HD (1920 × 1080 px)	HD (1920 × 1080 px)	UHD (3840 × 2160 px)	UHD (3840 × 2160 px)	UHD (3840 × 2160 px)
	Type	LCD	LCD	LCD	LCD	LCD
	Format	16:9	16:9	16:9	16:9	16:9
	Brightness	420 cd/m <sup>2</sup>	380 cd/m <sup>2</sup>	420 cd/m <sup>2</sup>	420 cd/m <sup>2</sup>	420 cd/m <sup>2</sup>
	Runtime	24/7	24/7	24/7	24/7	24/7
	Dimensions	749 x 450 x 68 mm	988 x 588 x 68mm	1154 x 684 x 74 mm	1272 x 750 x 68 mm	1531 x 906 x 68 mm
	Weight	15 kg	23 kg	31 kg	41 kg	56 kg
Sensor	Touch points	12	12	15	15	15
	Technology	PCAP	PCAP	PCAP	PCAP	PCAP
	Object Recognition	-	-	-	-	-
Other	Face Up (Table)	-	-	✓	✓	✓
	Open frame	✓	✓	-	-	-
	Audio	2 × 8 W	2 × 8 W	2 × 8 W	2 × 8 W	2 × 8 W
	Power	AC 100 – 240 V	AC 100 – 240 V	AC 100 – 240 V	AC 100 – 240 V	AC 100 – 240 V
	Consumption	60 W	75 W	135 W	155 W	155 W
	VESA	400 × 200	400 × 200	400 × 200	600 × 400	600 × 400

# IR MULTITOUCH SCREENS **NEW**

Model XES



XES 98"

# Model XES

Slim-IR



# IR MULTITOUCH SCREENS **NEW**

## Model XES



### Display

Model	<b>XES 43" UHD</b>	<b>XES 55" UHD</b>	<b>XES 75" UHD</b>	<b>XES 86" UHD</b>	<b>XES 98" UHD</b>
Resolution	<b>UHD (3840 × 2160 px)</b>	<b>UHD (3840 × 2160 px)</b>	<b>UHD (3840 × 2160 px)</b>	<b>UHD (3840 × 2160 px)</b>	<b>UHD (3840 × 2160 px)</b>
Type	LCD	LCD	LCD	LCD	LCD
Format	16:9	16:9	16:9	16:9	16:9
Brightness	475 cd/m <sup>2</sup>	475 cd/m <sup>2</sup>	475 cd/m <sup>2</sup>	475 cd/m <sup>2</sup>	475 cd/m <sup>2</sup>
Runtime	24/7	24/7	24/7	24/7	24/7
Dimensions	996 x 691 x 79 mm	1278 x 749 x 81 mm	1718 x 996 x 85 mm	1961 x 1131 x 89 mm	2223 x 1275 x 108 mm
Weight		42 kg	77 kg	88 kg	130 kg
Touchpunkte	12	12	32	32	32
Technologie	Slim-IR	Slim-IR	Slim-IR	Slim-IR	Slim-IR
Object recognition	✓	✓	✓	✓	✓
Face Up (Table)	✓	✓	-	✓	✓
Audio					
Power	AC 100 – 240 V	AC 100 – 240 V	AC 100 – 240 V	AC 100 – 240 V	AC 100 – 240 V
Consumption					
VESA	300 x 300	300 x 300	400 x 400	400 x 400	400 x 400

### Sensor

### Sonstiges

# IR MULTITOUCH SCREENS

## Model XII



### Display

Model	XII 65" UHD	XII 75" UHD	XII 86" UHD	XII 98" UHD
Resolution	<b>UHD (3840 × 2160 px)</b>	<b>UHD (3840 × 2160 px)</b>	<b>UHD (3840 × 2160 px)</b>	<b>UHD (3840 × 2160 px)</b>
Type	LCD	LCD	LCD	LCD
Format	16:9	16:9	16:9	16:9
Brightness	350 cd/m <sup>2</sup>	350 cd/m <sup>2</sup>	400 cd/m <sup>2</sup>	400 cd/m <sup>2</sup>
Runtime	24/7	24/7	24/7	24/7
Dimensions	1492 x 882 x 86 mm	1709 x 1020 x 86 mm	1957 x 1159 x 86 mm	2483 x 1493 x 376 mm
Weight	38 kg	51 kg	65 kg	104 kg
Touchpunkte	20	20	20	20
Technologie	IR	IR	IR	IR
Object recognition	-	-	-	-
Face Up (Table)	✓	✓	-	-
Audio				
Power	AC 100 – 240 V	AC 100 – 240 V	AC 100 – 240 V	AC 100 – 240 V
Consumption				
VESA	600 × 400	800 × 400	800 × 600	800 × 600

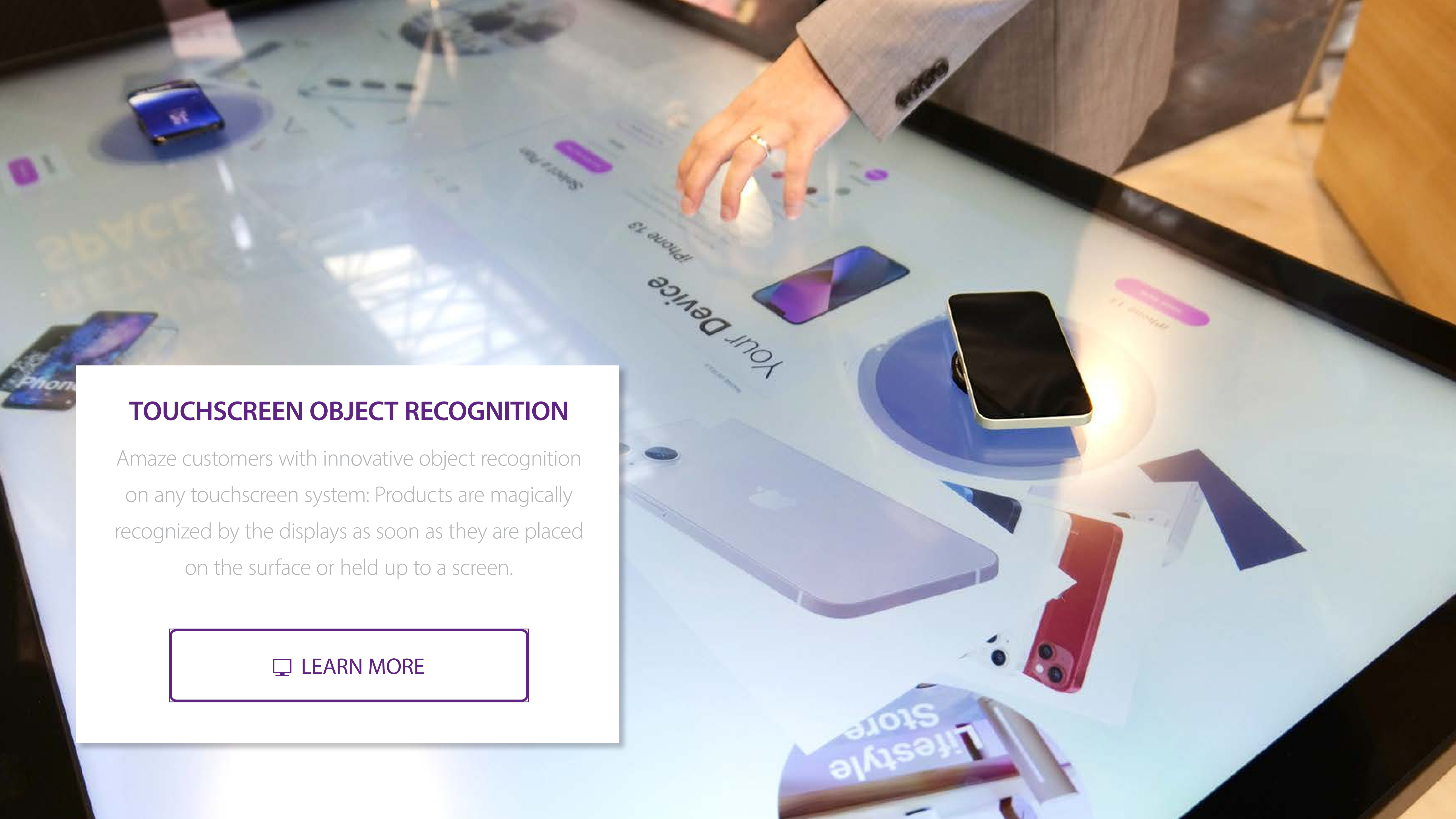
### Sensor

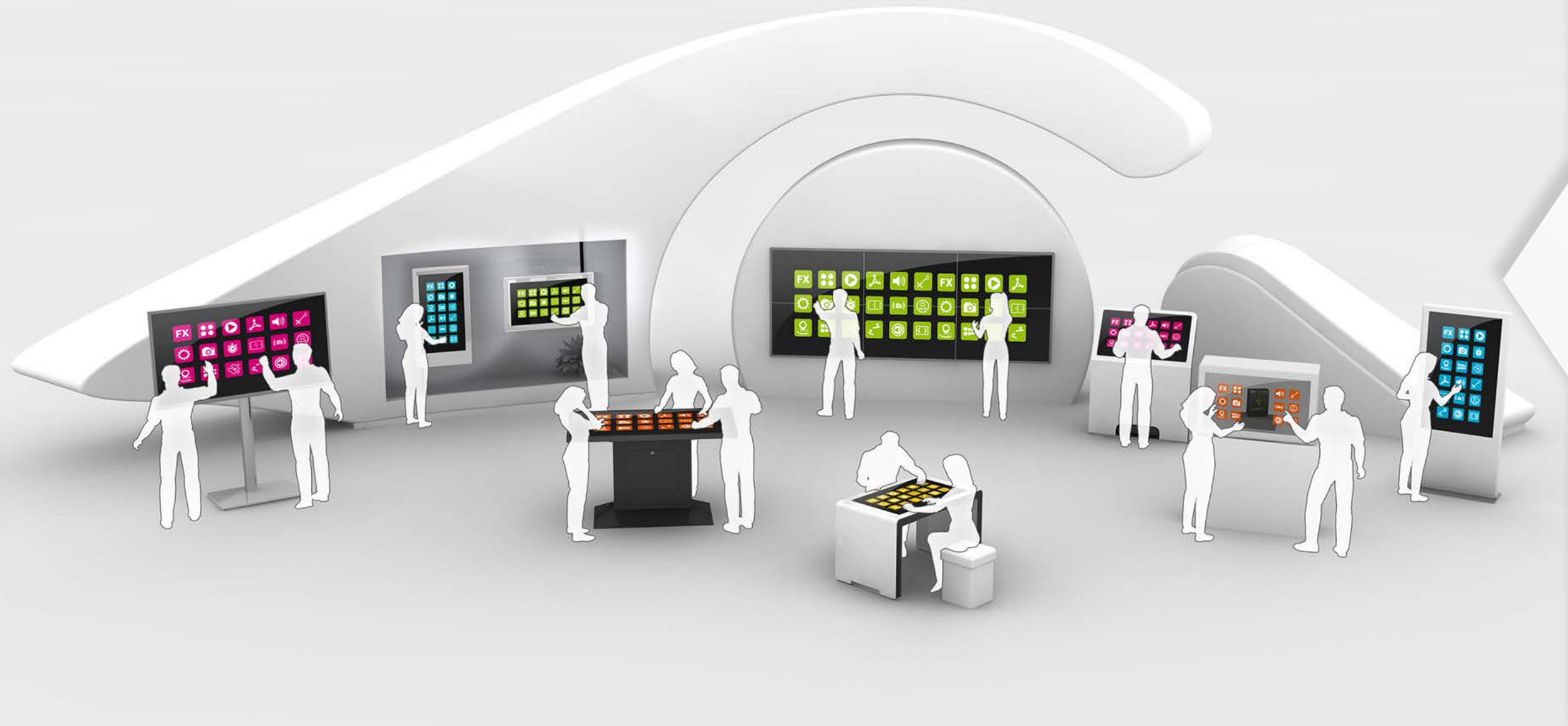
### Sonstiges

## TOUCHSCREEN OBJECT RECOGNITION

Amaze customers with innovative object recognition on any touchscreen system: Products are magically recognized by the displays as soon as they are placed on the surface or held up to a screen.

[🖥️ LEARN MORE](#)





## B2B TOUCHSCREEN APP PLATFORM

Every touchscreen hardware needs a corresponding software to make optimal use of the advantages of large interactive displays. With the **eyefactive app store**, a whole platform with *customizable, ready-to-use* apps for all touchscreen systems is available.

 [multitouch-appstore.com](http://multitouch-appstore.com)

- ✓ **APPSTORE** A growing number of ready-to-use, customizable apps in the world's first B2B app marketplace.
- ✓ **APPSUITE** Content management software as the central operating system, connects to AppStore.
- ✓ **APPCLOUD** Cloud management of all systems and projects. Roll-outs of any size can be easily deployed.
- ✓ **APPSDK** All apps are based on eyefactive's multi-awarded touchscreen software technology.





## FREE CONSULTATION

Get free professional consultation for your next interactive signage project.

 CONTACT US

## TOUCHSCREEN SOLUTIONS XXL

Find out more about our innovative technologies and solutions.

 [eyefactive.com](http://eyefactive.com)





**TOUCH FUTURE. *TOGETHER.***



 **CONTACT US**